

# QPD2-5000-6000-K2-N-IP65

## 2-Way, 5~6GHz

**Features:**

- \* Small Size
- \* Low Insertion Loss

**Applications:**

- \* Amplifiers
- \* Mixers
- \* Antennas
- \* Laboratory Test

**Electrical**

Frequency:	5~6GHz
Insertion Loss:	0.5dB max.
Input VSWR:	1.25 max.
Output VSWR:	1.2 max.
Isolation:	20dB min.
Amplitude Balance:	0.2dB max.
Phase Balance:	±3°
IP Grade:	IP65
Impedance:	50Ω
Average Power:	200W max. 10W max. as combiner

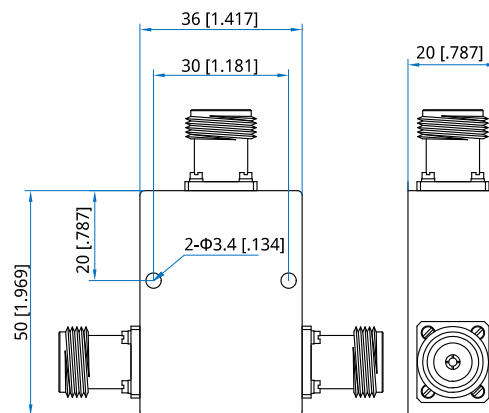
**Mechanical**

Size* <sup>1</sup> :	50*36*20mm 1.969*1.417*0.787in
Weight:	80g
Connectors:	N Female
Mounting:	2-Φ3.4mm through-hole

[1] Exclude connectors.

**Environmental**

Operation Temperature:	-30~+60°C
------------------------	-----------

**Outline Drawings**


Unit: mm [in]

Tolerance: ±0.5mm [±0.02in]

**How To Order**

**QPD2-5000-6000-K2-N-IP65**

Customization is available upon request.